

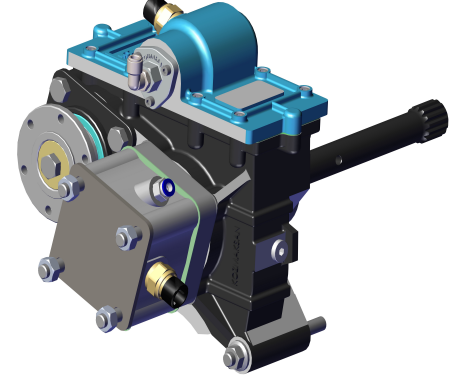
OTS.IHT.6

DESCRIPTION

This PTO transmission with tail connection has two axes and two outputs. It is mounted on the main gearbox. It transmits the movement it receives from the main transmission through the cardan shaft to the second equipment output by proportioning it with the help of gears in the gearbox.

The equipment output is compatible with ISO4 Bolt pump output. In addition, it can also have the option of pneumatic control mechanism for activation / deactivation with the kit assembly to be made on it.

The lubrication system is provided by the oil in the main gearbox through the lubrication channel on the surface connected to the main gearbox body. No oil is added into the PTO afterwards.



TECHNICAL DATA

1. Equipment Output

Maximum Power (kW)	102
Maximum Torque (Nm)	980
Maximum Speed (rpm)	3000
Available Internal Ratios	1/1,25 - 1/1,45

2. Equipment Output

Maximum Power (kW)	41
Maximum Torque (Nm)	392
Maximum Speed (rpm)	1000
Available Internal Ratios	1/1

Weight (kg):36

Mounting Type: Tail

COMPATIBLE GEARBOX TYPES

Ford Ecotorq AMTO BAS



OTS.IHT.6

AVAILABLE OPTIONS

1. Çıkış Opsiyonları

- ISO 4 Bolt pump connection

2. Çıkış Opsiyonları

- ISO 4 Bolt pump connection
- Coupling connection with KIT conversion

DIMENSIONS

